

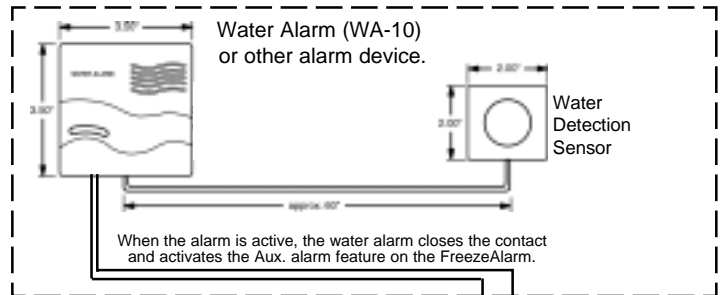
Using the Added Features of the Deluxe FreezeAlarm

The Deluxe FreezeAlarm Models (FA-D and FA-DX) have two features that make them much more than a temperature monitoring device. This document discusses these two features in detail.

- In addition to the FreezeAlarm telling you if your home or cabin is too cold or too hot, you can use the Deluxe FreezeAlarm to alert you if an intruder is present, or if your sump pump is about to overflow, or if a smoke detector is going off.
- WARM UP (or cool down) YOUR PLACE BEFORE YOU GET THERE! If you visit your cabin in the wintertime, you know it can take half a day to heat the place up. With the Deluxe FreezeAlarm, you can call ahead, from any phone, and warm up (or cool down) your home or cabin before you arrive.

HOOK UP ADDITIONAL ALARMS:

This feature allows you to hook up our Water Alarm or any other alarm device that when activated, creates a closed contact. The closed contact can be routed through the FreezeAlarm and activate the Auxiliary Alarm Message and begin calling the three programmed numbers in your FreezeAlarm. This feature works in addition to the normal operation of the FreezeAlarm.

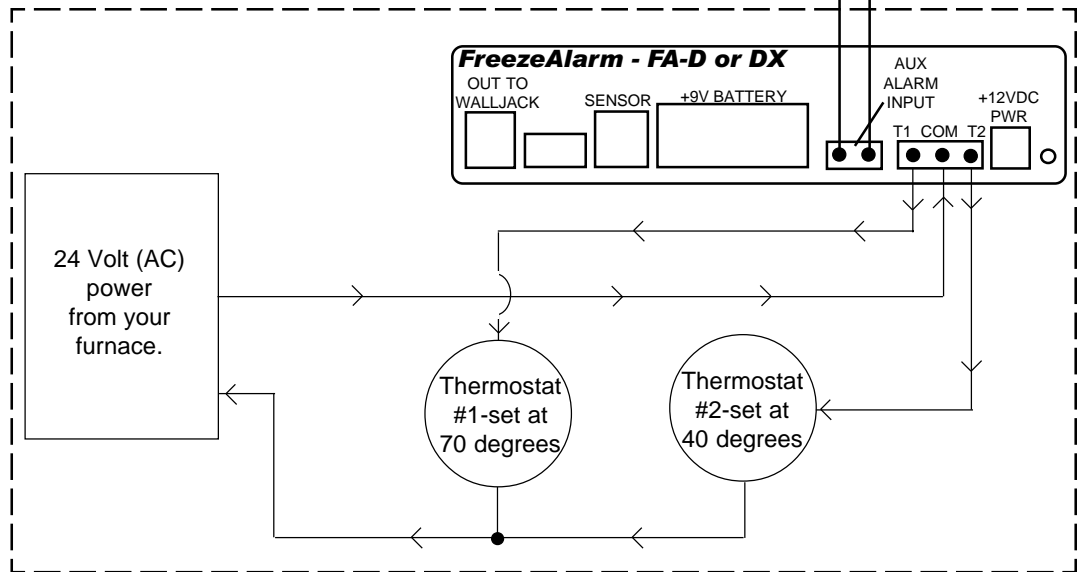


WARM UP OR COOL DOWN BEFORE YOU ARRIVE!

CHANGE THE TEMPERATURE FROM ANY PHONE!

Dial into the FreezeAlarm and switch to a 2nd thermostat that is set to a higher temp. Can also be used to cool down a place in the summer.

The drawing at the left assumes a central heating type of system with standard, 24 volt thermostats. Electric or base-board heat can only be turned on and off remotely and requires a step-down in voltage to work with this FreezeAlarm model.



Control Products, Inc. is not an electrical contractor and cannot provide detailed information about the exact connections required for your particular furnace. The following diagrams provide general information about how to utilize the Auxiliary Input and Thermostat Switching Features of the FreezeAlarm.

The FreezeAlarm™. The world's best selling freeze protection device.



1724 Lake Drive West, Chanhassen, MN 55317

952-448-2217
www.controlproductsinc.com

Innovative Technologies in Electronic Design & Manufacturing

Advanced Uses of the Deluxe FreezeAlarm

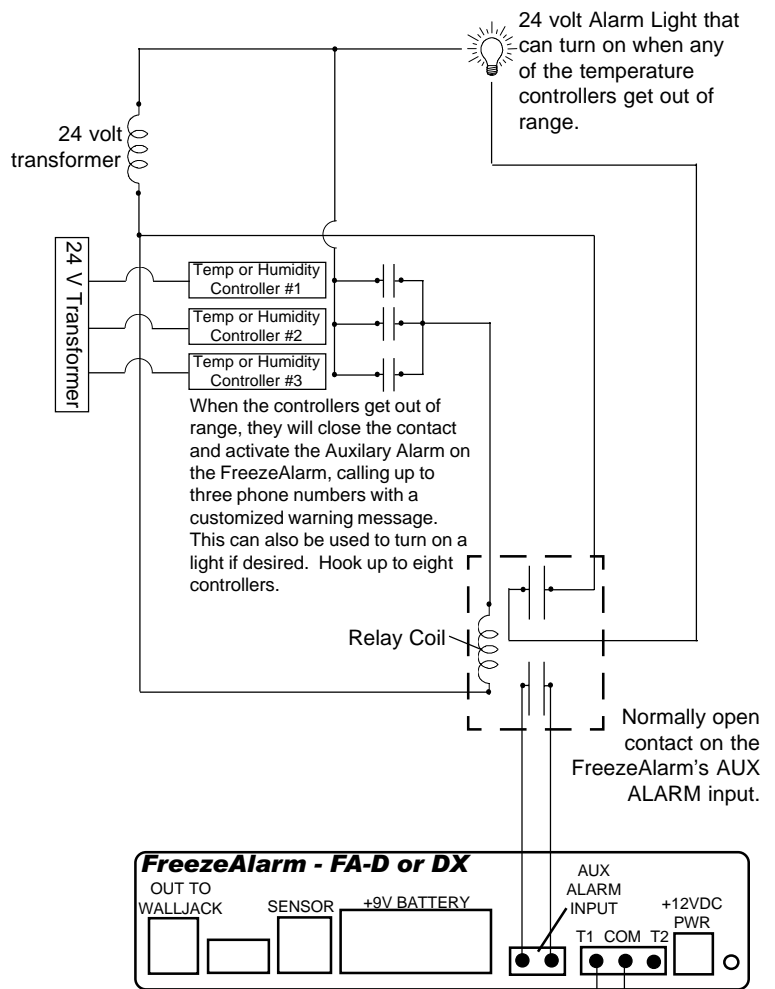
Monitoring the Temperature of Multiple Locations

The FreezeAlarm comes with one temperature sensor to monitor only one location. In addition, you can remotely find out the current temperature of the area where that sensor is located with a simple phone call.

To monitor multiple locations, you need to utilize either the FA-D or FA-DX FreezeAlarm models. Via the Auxiliary Alarm Input on the back of these models, one can monitor up to eight additional locations. Although you won't be able to call up and find out the current temperature or humidity reading of these locations, you can have the FreezeAlarm call up to three phone numbers should any of these additional sensors get out of range.

Control Products manufactures high quality Temperature and Humidity Controllers and Alarms that can be hooked up to the FreezeAlarm. The diagram at the right provides an example of how to set up this multiple monitoring location scenario.

Note that this diagram is not a substitute for having a trained electrician or heating contractor install this type of configuration. Contact Control Products for detailed part numbers and costs of how this can be accomplished.



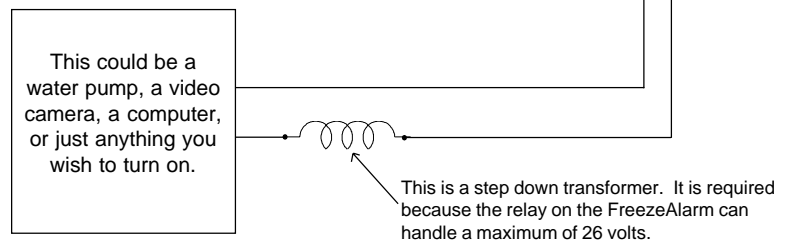
Remotely Switchable Relay

Remotely switch a relay by telephone to switch between two thermostats or turn on and off anything by telephone!

The diagram at the right shows the FreezeAlarm acting as a remote switch, being able to turn on whatever device is required.

When the switch is on "T1", the current flows, powering the device. When the switch is on "T2", the connection is cut, thus turning off the device.

It is important to consult an electrician or heating contractor to verify any specific questions about this type of configuration.



Control Products, Inc. is not an electrical contractor and cannot provide detailed information about the exact connections required for your particular heating source or electrical equipment. The following diagrams provide general information about how to utilize the Auxiliary Input and Remote Switching Features of the FreezeAlarm.

The FreezeAlarm™. The world's best selling freeze protection device.



1724 Lake Drive West, Chanhassen, MN 55317

952-448-2217
www.controlproductsinc.com

Innovative Technologies in Electronic Design & Manufacturing